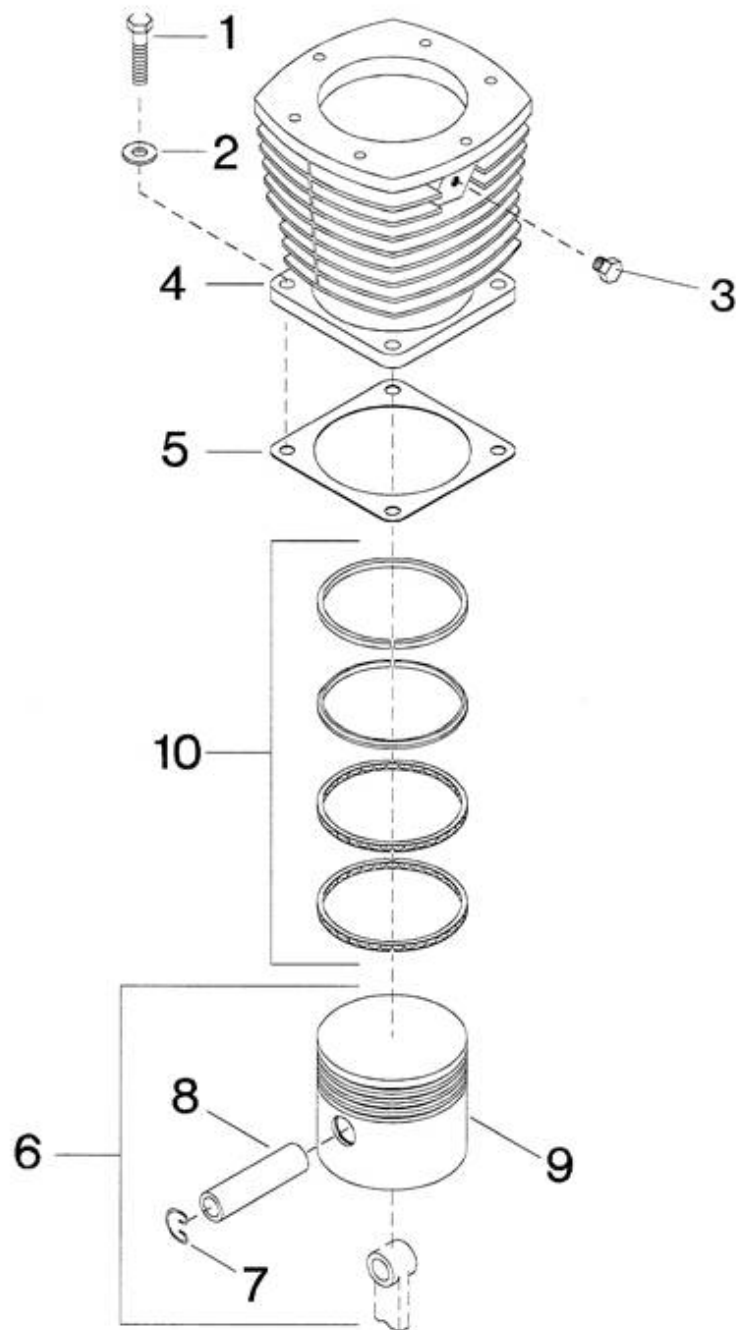


## 5. Second Stage Cylinder & Piston - Model 7100



All manufacturer's names, numbers, photos, product description and/or part numbers are used for reference purposes only & it is not implied that any part listed is the product of these manufacturers. Since Approvement are made from time to time, the illustration and specifications are subject to change without notice.

## 5. Second Stage Cylinder & Piston - Model 7100

REF. NO.	PART NO.	DESCRIPTION	QTY.	SPARES		
				1	2	3
5-1	95053567	CAPSCREW, HEX HEAD - 1/2-13 X 1-1/4"	4			
5-2	95674701	GASKET, COPPER WASHER - 1/2"	4			
5-3	95252409	PLUG, PIPE - HEX HEAD - 1/4"	1			
5-4	32174997	CYLINDER, AIR - SECOND STAGE	1			
5-5	30294235	GASKET, FLANGE	1	1	1	2
5-6	32223752	PISTON, AIR - SECOND STAGE - COMPLETE	1		1	1
5-7	30288450	• RING, LOCK	2			
5-8	32220592	• PIN, PISTON	1			
5-9	NSS	• PISTON, AIR - 3 INCH	1			
5-10	32194276	SET, RING - 3 INCH	1	1	1	2

All manufacturer's names, numbers, photos, product description and/or part numbers are used for reference purposes only & it is not implied that any part listed is the product of these manufacturers. Since Approvement are made from time to time, the illustration and specifications are subject to change without notice.